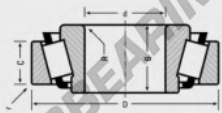


Tapered roller bearing NP523912-NP611140-TIMKEN - NP523912-NP611140-TIMKEN

<https://www.123bearing.ie/bearing-housing/roller-bearing/tapered/np523912-np611140-timken>

BEARING SPECIFICATION GUIDE **TIMKEN**

Tapered Roller Bearings
NP Part Numbers - Continued



Numerical Listing

Part Numbers		Cone			Cup		
Cone	Cup	Bore d	Width B	BF Radius R	O.D. D	Width C	BF Radius r
NP523912	NP611140	53.975	32.791	0.14	123.825	25.400	3.30

PRODUCT FEATURES

Brand	TIMKEN
N° Ean13	53893310350
Inside diameter	53.975 mm
Inside diameter	2 1/8" inch
Outside diameter	123.825 mm
Outside diameter	4 7/8" inch
Thickness	32.791 mm
Thickness	1.291" inch
2nd Thickness	36.512 mm
2nd Thickness	1 7/16" inch
Weight	2086 g
Packaging	1

contact@123bearing.ie

+33 359 36 04 90

CRT4 de Lesquin 60 Rue Du Haut De Sainghin 59273 Fretin FRANCE